

400 W AC Servo Motor

Type **6CC401** with planetary gear box $i=10$

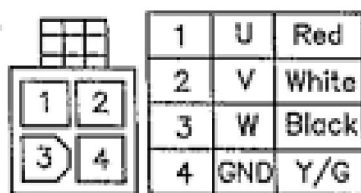
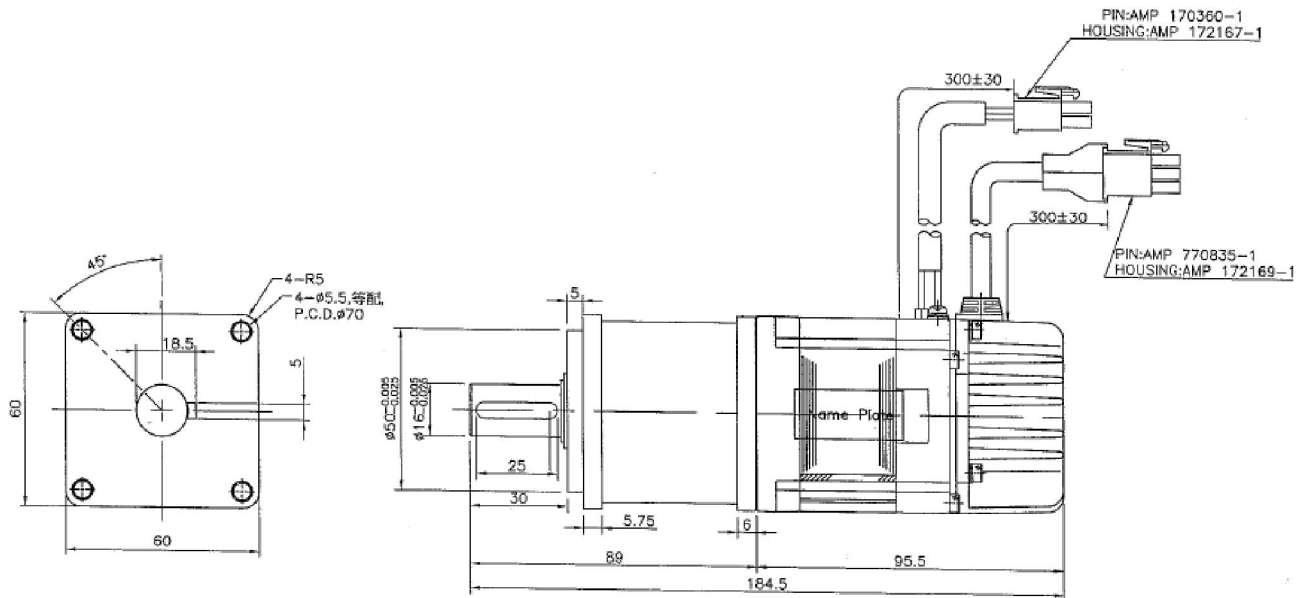
Data Sheet

Electrical Specifications¹:

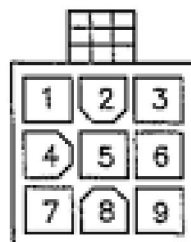
Nr	Item	Symbol	Unit	Specification
1	Exciting Method	-	-	Permanent Magnet
2	Pole count	-	-	14
3	Phase count	-	-	3
4	Rated Power	P_R	W	400
5	Rated Torque	T_R	Nm	11.21
6	Max Torque	T_{max}	Nm	33.63
7	Rated Speed	N_R	rpm	300
8	Rated Terminal Voltage	V_t	V	77.53
9	Rated Current	I_R	A	3.5
10	Max. Current	I_{max}	A	10.5
11	Torque Constant	K_t	Nm/A	3.4
12	Voltage Constant	K_e	V/krpm	404
13	Rotor Inertia	J_M	$Kgcm^2$	0.85
14	Resistance	R_a	Ω	2.94
15	Inductance	L_a	mH	5.7
16	Mech. Time Constant	T_m	ms	0.55
17	Elect. Time Constant	T_e	ms	1.94
18	Encoder type	-	-	QEP 5V differential signals
19	Encoder resolution	-	ppr	2500
20	Insulation class	-	-	Class F

¹ According to the manufacturer's Specification

21	Weight	W	kg	2.79
22	Operation Temp.	T	°C	0÷40
23	Operation Humidity	RH	%	<90
24	Storage Temp.	T	°C	-20÷60
25	Storage Humidity	RH	%	<90



Motor Connection



1	+5V	White
2	0V	Black
3	A	Green
4	\bar{A}	Blue
5	B	Red
6	\bar{B}	Pink
7	Z	Yellow
8	\bar{Z}	Orange
9	FG	Shield

Encoder Connection